

ATLANTIS



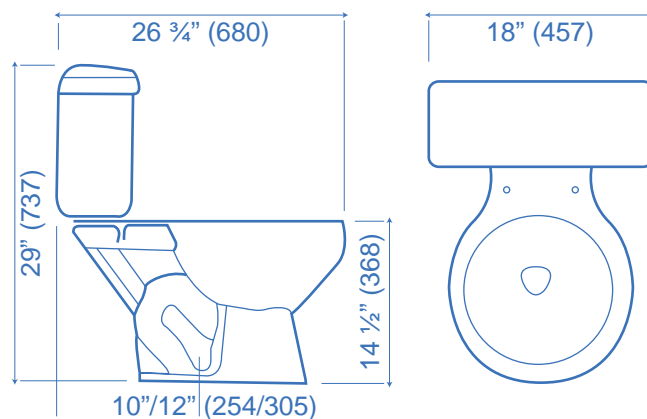
TOILET



- 💧 Round bowl
- 💧 White only
- 💧 Rim jet flush
- 💧 **2 1/8" glazed trap**
- 💧 Sanitary lip
- 💧 Available in 10" or 12" rough-in
- 💧 Pilot Valve Trim
- 💧 25 Year limited warranty
- 💧 CSA Approved

Model	Description
6332	Round bowl
6330	Unlined tank and lid 12" RI
6310	Unlined tank and lid 10" RI
6331	Insulated tank and lid *

* Only 12" Rough-in available lined



Seat Not Included

UNAR/Watersense Tested

Tel: (905) 764-5555 · Fax: (905) 764-7647
Toll Free Tel: 1-888-237-2589 · Toll Free Fax: 1-800-668-4694
E-mail: info@ceralux.com · Website: www.ceralux.com