

CHARLESTON

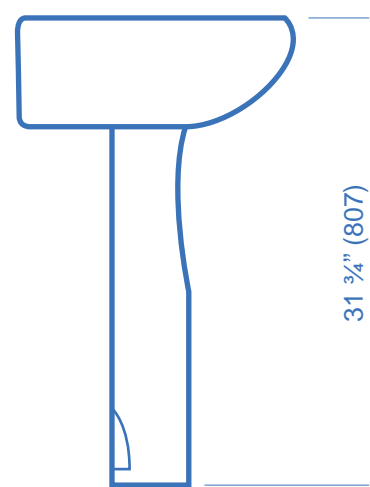
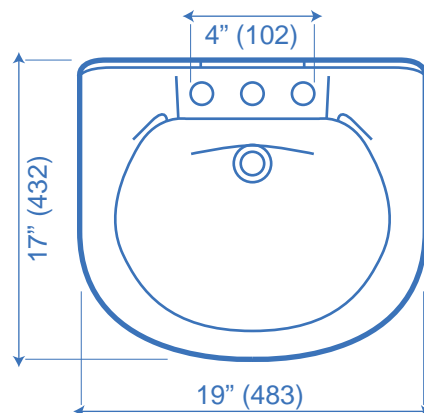


PEDESTAL



- 19" x 17"
- 4" centre
- White only
- Rear overflow
- Through floor or wall plumbing
- Mounting bracket included
- 25 Year limited warranty
- CSA Approved

| Model | Description |
|--------------|---|
| 1424 5210 | Lavatory slab 4" centre Pedestal leg |



Faucets Not Included