

# EVERGREEN

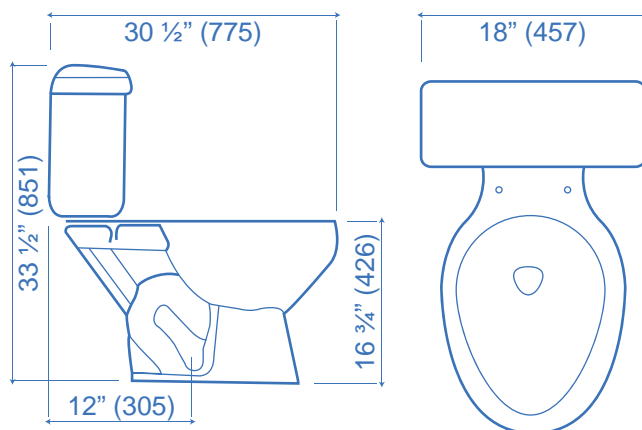


## DUAL FLUSH ELONGATED TOILET



- 💧 Elongated bowl / White only
- 💧 **Wash down flush**
- 💧 **2 1/8" glazed trap**
- 💧 Tank with dual flush mechanism giving you the option of 6L or 3L flush
- 💧 HET Rated
- 💧 Barrier Free Certified
- 💧 25 Year limited warranty
- 💧 CSA Approved

Model	Description
5074 6452	Elongated bowl Unlined tank and lid with dual flush mechanism 6L/3L



*Seat Not Included*

UNAR/Watersense Tested

Tel: (905) 764-5555 · Fax: (905) 764-7647  
 Toll Free Tel: 1-888-237-2589 · Toll Free Fax: 1-800-668-4694  
 E-mail: [info@ceralux.com](mailto:info@ceralux.com) · Website: [www.ceralux.com](http://www.ceralux.com)