

EVERGREEN

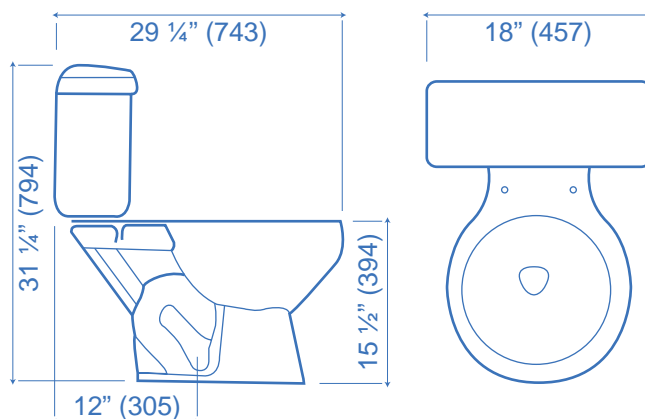


DUAL FLUSH TOILET



- Round bowl / White only
- Wash down flush
- 2 1/8" glazed trap
- Conceal trapway
- Tank with dual flush mechanism giving you the option of 6L or 3L flush / HET Rated
- 25 Year limited warranty
- CSA Approved

Model	Description
6450 6452	Round bowl Unlined tank and lid with dual flush mechanism 6L/3L



Seat Not Included

UNAR/Watersense Tested

Tel: (905) 764-5555 · Fax: (905) 764-7647
Toll Free Tel: 1-888-237-2589 · Toll Free Fax: 1-800-668-4694
E-mail: info@ceralux.com · Website: www.ceralux.com