

EVERGREEN

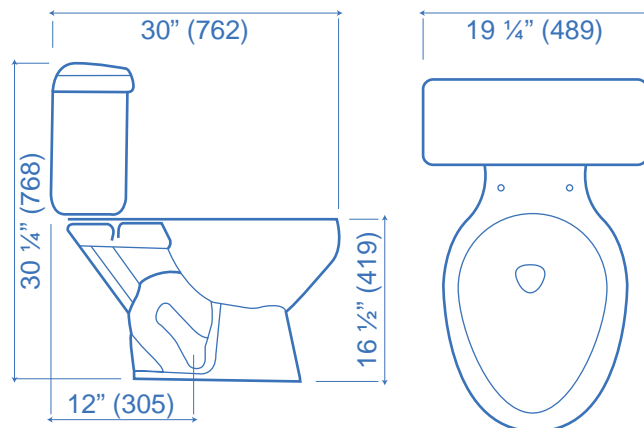


PRESS/ASSIST TOILET



- 💧 Elongated bowl / White only
- 💧 **Pressure assisted**
- 💧 **3.8 litre flush**
- 💧 **2 1/8" glazed trap**
- 💧 Raised sanitary lip
- 💧 Sloan Flushmate
- 💧 HET Rated
- 💧 Barrier Free Certified
- 💧 25 Year limited warranty
- 💧 CSA Approved

Model	Description
6482	Pressure assist bowl
6480	Pressure assist tank and lid



Seat Not Included

UNAR/Watersense Tested

Tel: (905) 764-5555 · Fax: (905) 764-7647
 Toll Free Tel: 1-888-237-2589 · Toll Free Fax: 1-800-668-4694
 E-mail: info@ceralux.com · Website: www.ceralux.com