

IPANEMA

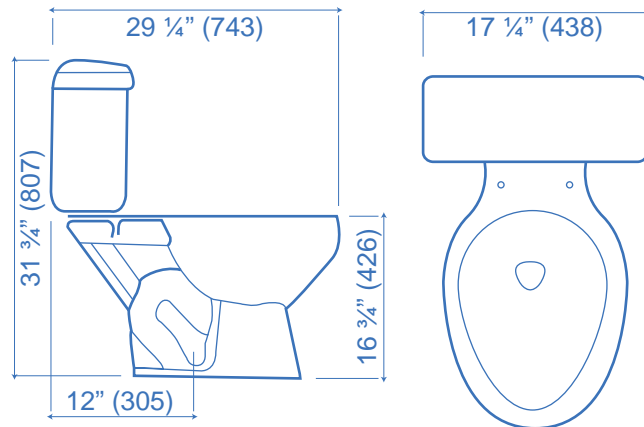


HET TOILET



-  Elongated bowl
-  White only
-  Siphon jet
-  **2" glazed trap**
-  Raised sanitary lip
-  Pilot Valve Trim
-  Barrier Free Certified
-  25 Year limited warranty
-  CSA Approved

Model	Description
2103 4112	4.8L elongated bowl Unlined tank and lid



Seat Not Included

UNAR/Watersense Tested

Tel: (905) 764-5555 · Fax: (905) 764-7647
 Toll Free Tel: 1-888-237-2589 · Toll Free Fax: 1-800-668-4694
 E-mail: info@ceralux.com · Website: www.ceralux.com