

# JUNO

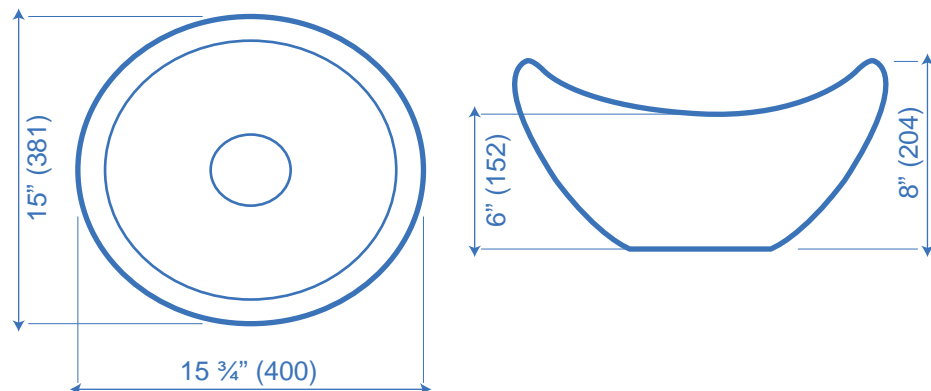


## VESSEL



- 15 3/4" X 15"
- White only
- Mount flush on counter top
- Sculptured rim
- Faucets mount on counter top or wall
- 25 Year limited warranty

Model	Description
6092	No faucet ledge



*Faucets Not Included*