

# SAN JOSÉ

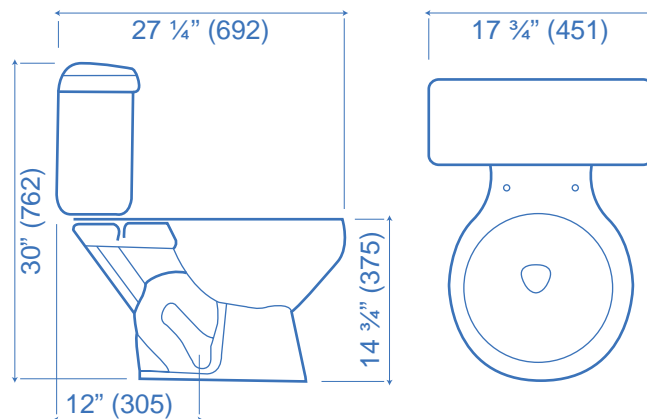


## 6L TOILET



- Round bowl
- White only
- Rim jet flush
- 2" glazed trap**
- 12" rough-in
- 25 Year limited warranty
- CSA Approved

Model	Description
7221 7331	6L round bowl Unlined tank and lid 12" RI



*Seat Not Included*

UNAR/Watersense Tested

Tel: (905) 764-5555 · Fax: (905) 764-7647  
Toll Free Tel: 1-888-237-2589 · Toll Free Fax: 1-800-668-4694  
E-mail: [info@ceralux.com](mailto:info@ceralux.com) · Website: [www.ceralux.com](http://www.ceralux.com)