



CERALUX®
Industries Inc.

Leaders In Bathware

IMPORTANT

Read these instructions
thoroughly before beginning
work

Save this Manual For
Future Reference



ONE PIECE TOILET GENERAL INSTALLATION INSTRUCTIONS



GENERAL INSTALLATION INSTRUCTIONS FOR ONE PIECE TOILET PAGE 1

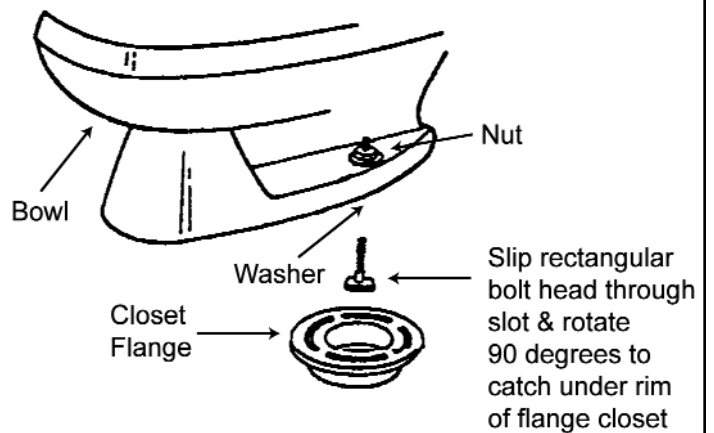
INSTALLING BOWL

Because of the weight of the combined bowl/tank, it is suggested that steps 1,2 and 3 be performed before you attach the tank to bowl.

1. INSTALL BOWL MOUNTING BOLTS (Not Furnished)

(For bowl to be mounted to a closet flange)
To insure a flush fit of the bolt cover,
follow these instructions to get the correct
bolt lengths:

A) Place a small amount of plumbers putty around bolt heads (to keep them upright). Place them in the closet flange. Carefully set the bowl in place over the waste outlet opening and mounting bolts. Place washers on bolts and thread nuts on the bolts, finger tight. If the bolts extend above the nuts, mark the bolts at the top of the nuts so that you'll know how much to cut off each bolt.



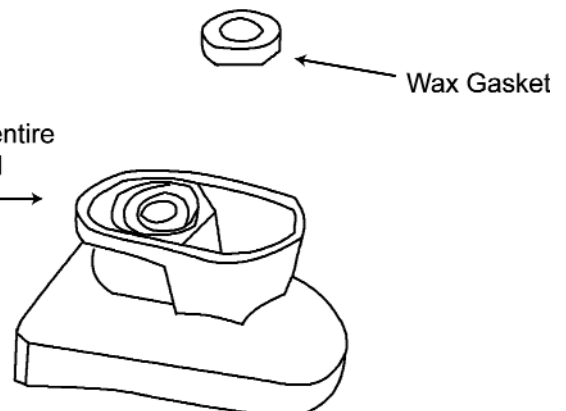
B) Remove nuts, washer and bowl. Remove the bolts from the closet flange and thread nuts back onto bolts below the "cut" marks. Cut off the excess length of each bolt with a hacksaw. Back the nuts off the bolts to clean of the threads. Reinstall the bolts on the closet flange.

2. PREPARE BOWL FOR INSTALLATION (Remove lid)

A) Place padding (or throw rug) on the bathroom floor and set the toilet bowl on it, bottom up with the rim of bowl supported on the padding.

B) Install waste outlet gasket.
Note: most districts in Canada require a wax gasket. Check your local plumbing supply house for correct gasket and follow the manufacturers instructions.

Plumbers putty compound around entire rim of bowl pedestal (1/8" thick)

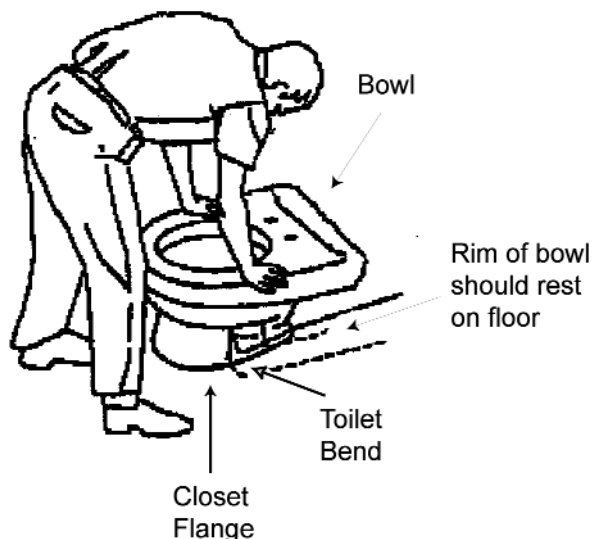




GENERAL INSTALLATION INSTRUCTIONS FOR ONE PIECE TOILET PAGE 2

3. INSTALL TOILET BOWL

- A) Pick up the toilet bowl and carefully set the bowl over the waste outlet opening or the closet flange. Make sure that the bowl mounting bolts pass through the bolt holes in the bowls base and that the waste opening is lined up correctly with the waste pipe.
- B) Press down on each side at the center of the bowl as shown. Use your full weight and a very slight twisting motion to imbed the bowl evenly in the wax gasket. **ONLY PUT PRESSURE ON THE BOWL AT ITS SIDES AND IN LINE WITH THE WASTE OPENING. DO NOT ROCK THE BOWL OR WATERTIGHT SEAL JUST OBTAINED WILL BE BROKEN.**
- C) Place washer and nuts on the bowl mounting bolts. Tighten nuts finger tight, then tighten $\frac{1}{2}$ turn more with an adjustable or open-end wrench. If bowl does not "rock" it is too tight. **DO NOT OVER TIGHTEN THE NUTS AS VITREOUS CHINA EASILY CHIPS AND CRACKS.**
- D) Trim excess plumbers putty squeezed out from under the bowl, away from the base of the bowl with a putty knife.
- E) Place the bolt caps over the nuts.
- F) Fill bowl with water to prevent sewer gas from escaping.



SEAT INSTRUCTIONS

Figure 1.



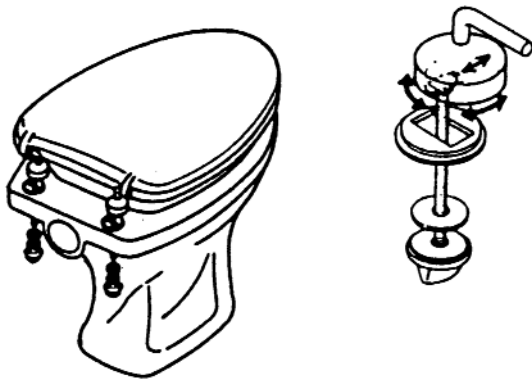
Insert hinge & bolt assembly into toilet seat

Figure 2.



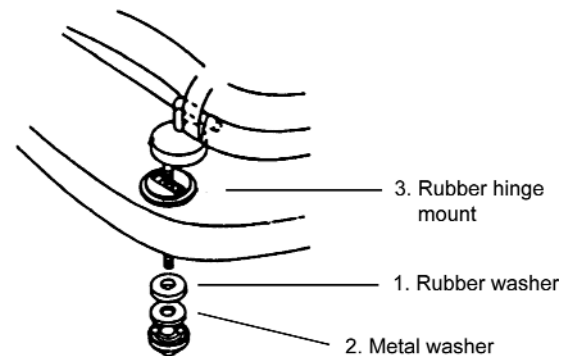
Place seat on bowl with front of seat flush with bowl front

Figure 3.



Adjust hinge for proper fit by rotating inner disk and/or sliding bolt in slot provided

Figure 4.



Assemble hinge hardware as shown and secure firmly with wing nut

4. Congratulations, you have purchased a top quality Omni toilet seat, which will give you many years of service and hygiene. To maintain the high quality surface, all that is required
- The seat, flap and hinges should be wiped with a damp cloth, then polished with a soft dry cloth
 - Stubborn stain or marks may be removed using a non-abrasive cleaner
 - Harsh abrasive must never be used
 - Take care and lift the seat when using acid or bleach based cleaners in the bowl
 - Finally to maintain the brilliant surface, use a clear furniture polish



GENERAL INSTALLATION INSTRUCTIONS FOR ONE PIECE TOILET PAGE 4

CONNECT WATER SUPPLY

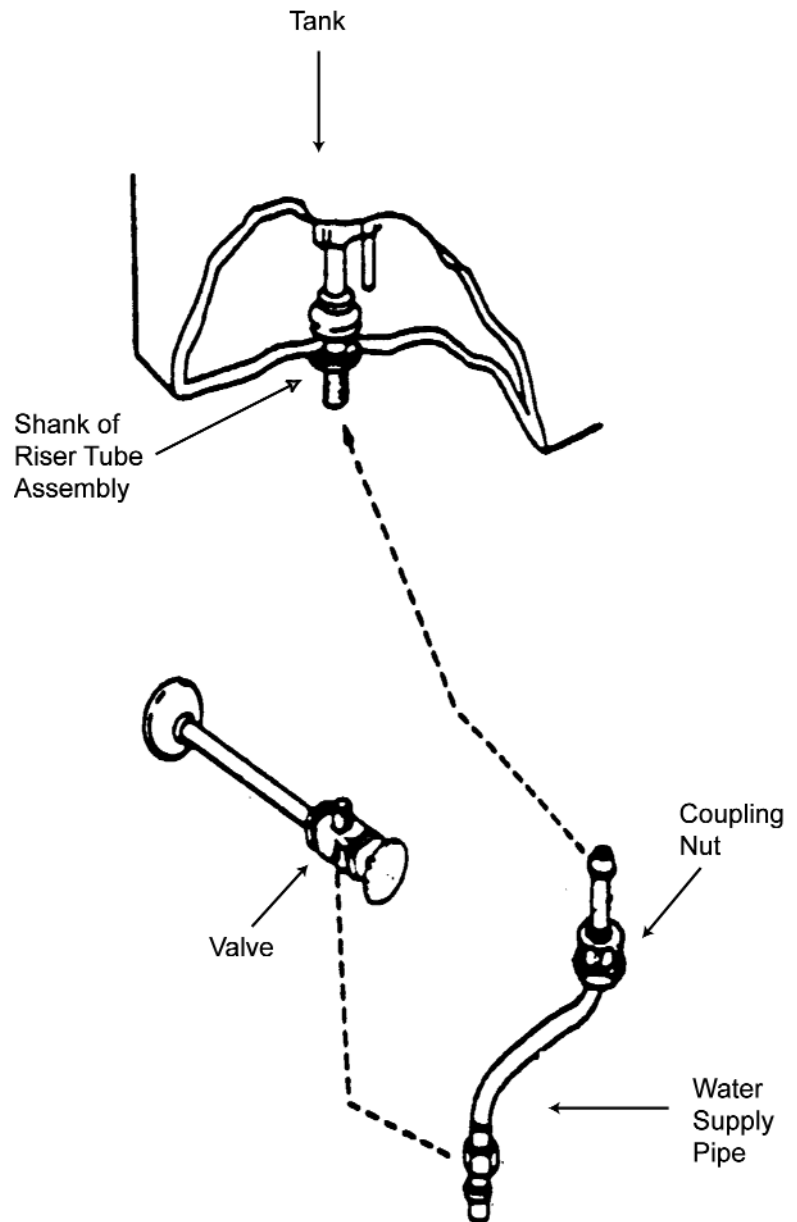
5. CONNECT WATER SUPPLY TO TANK

NOTE: Flex line is recommended for silent operation

A) Make sure that the water supply is a little longer than needed to connect the shutoff valve and shank of riser tube.

B) If you have to shorten the rigid style water supply pipe, use a hacksaw or tubing cutter. Make sure to cut the end without the flange and keep the cut squarely at 90 degrees with the pipe wall. Remove sharp outside edges and burrs with a file. Slip the end of a file into the edge of the pipe and rotate it to remove burrs from the inside edge

C) Slip coupling nut, supplied with toilet on the water supply pipe as shown. Next, slip the valve nut and valve collar (supplied with valve) on the water supply pipe. Insert the straight section of the pipe squarely into the valve until it seats firmly. Slip the valve collar and nut into place on the valve and tighten securely with the adjustable wrench or 5/8" open end. Make sure the pipe does not tilt while tightening to insure a positive seal. **DO NOT OVERTIGHTEN NUT.**





GENERAL INSTALLATION INSTRUCTIONS FOR ONE PIECE TOILET PAGE 5

D) Hold the pipe securely where it extends from the valve to prevent loosening the seal just made. Then, bend the pipes as needed to have its end seat squarely into the body of the tube shank. Slip the coupling nut into position and tighten securely. Make sure that the pipe does not tilt while tightening to insure a positive seal. **DO NOT OVERTIGHTEN NUT.**

E) Turn on the valve (turn the knob counter clockwise). The tank should start filling with water. Check for leaks at pipe connections. If leaking, turn off the valve (turn knob clockwise) and flush water from tank.

F) Water leaking at the riser tube shank can generally be stopped by further tightening of the coupling nut - that is if the pipe is not tilted. If it is, loosen the coupling nut, align the pipe squarely, and retighten the coupling nut. **BE CAREFUL; OVERTIGHTENING THE NUT CAN CAUSE THE HOSE PIECE TO DEFORM AND LEAK.**

G) Leakage at the valve requires that the valve nut be loosened, the pipe aligned squarely and seated FULL-DEPTH into the valve. Retighten the valve nut. **OVERTIGHTENING THE VALVE NUT CAN CAUSE THE VALVE COLLAR OR TUBE TO DEFORM AND LEAK.**

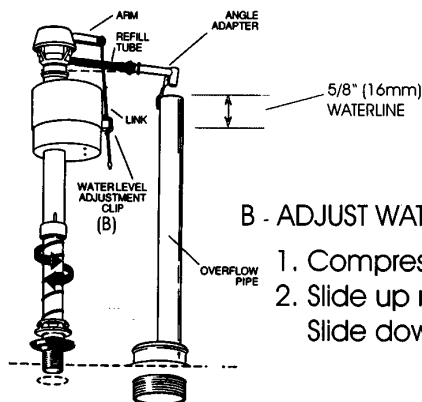
H) Turn on valve and fill tank. Place lid on tank.

NOTE: Check all connection for several days to detect any leaks, which may develop. If they do, tighten all connections per instructions. Also, after several days, remove the bolt caps from the bowl and tighten nuts snugly.

6. Water level adjustment

Two types of flow control valves are common in toilets today. Determine which style you have and refer to drawing (H) or (O). Adjust the water to the level indicated on the inside of the tank. If no water level is marked adjust the level to 5/8" (16mm) From the top of the overflow tube.

H



B - ADJUST WATER LEVEL

1. Compress clip (B)
2. Slide up rod to increase level
Slide down rod to decrease level

O

