



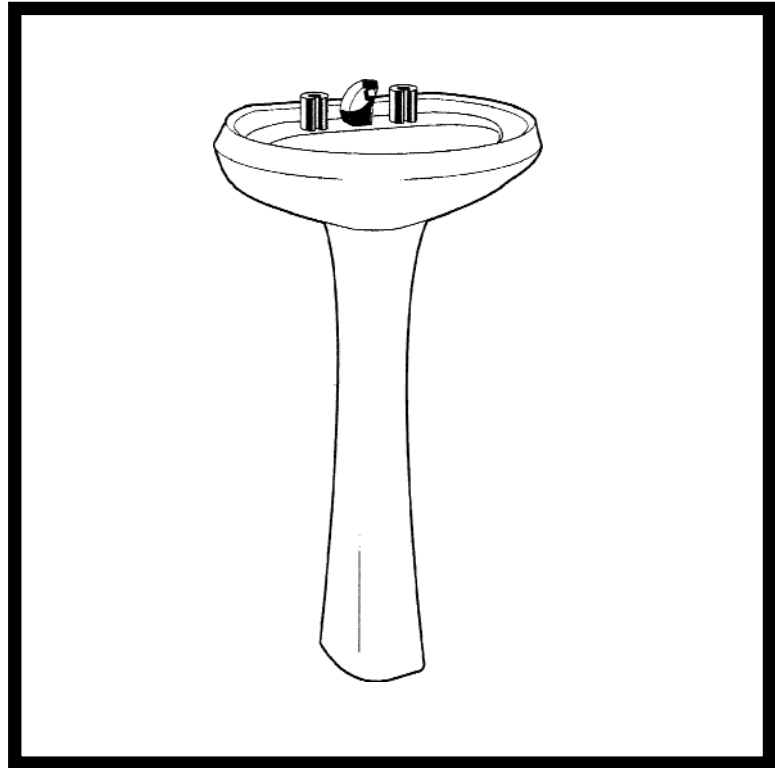
CERALUX®
Industries Inc.

Leaders In Bathware

IMPORTANT

Read these instructions
thoroughly before beginning
work

Save this Manual For
Future Reference



PEDESTAL SINK GENERAL INSTALLATION INSTRUCTIONS



GENERAL INSTALLATION INSTRUCTIONS FOR PEDESTAL SINK LAVATORY

PAGE 1

PARTS DESCRIPTION

PEDESTAL (BASE)
LAVATORY (BOWL)
WALL BRACKET (not req'd for all models)

TOOLS & PARTS REQUIRED

(NOT INCLUDED)

CARPENTERS LEVEL	CAULK
SCREWDRIVER	WRENCH
ATTACHING HARDWARE	HAMMER
DRILL	

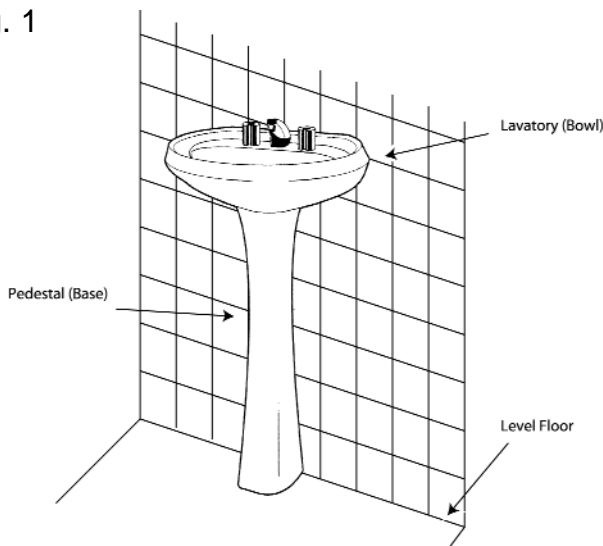
Exercise care when handling the pedestal (base) to reduce risk of chipping or breaking. Dropping tools onto the porcelain units during installation should be avoided to eliminate any damage to vitreous china. Keep unit lying on carpet or cardboard during installation procedure. This unit uses standard faucet/pop-up drain requiring hot and cold water supply lines, shut off valves, drain connection and lavatory trap (Not Supplied)

TO INSTALL

(1) For new installation (or if replacing existing lavatory), set pedestal (base) in desired location. Make sure floor area is adequately level and firm.

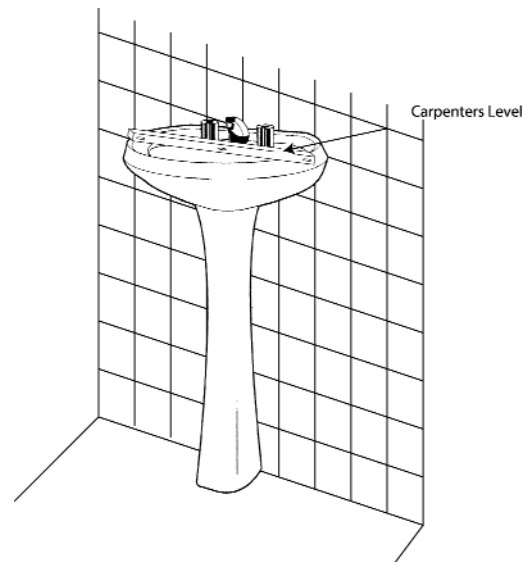
See Fig. 1.

Fig. 1



(2) Carefully place lavatory (bowl) onto pedestal (base) and against wall where lavatory is to be located when fastened to wall **CAUTION:** Unit is not steady until secure to wall. **NOTE:** A second person may be needed to assist during measurement and positioning of the bowl and while leveling to wall. Using a carpenters level...adjust as needed. **See Fig. 2.**

Fig. 2



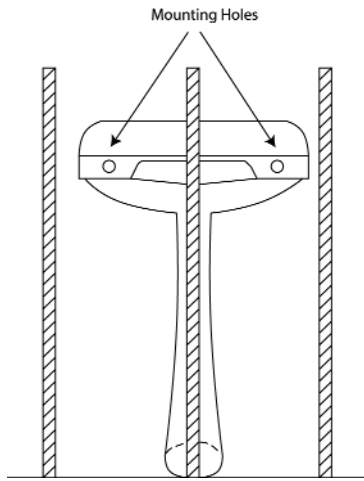
(3) Mark hole location on wall. If unit is supplied with bracket, position bracket in place and mark mounting holes. Now remove lavatory (bowl) from pedestal (base) and place on carpet or cardboard, away from work area to avoid damage. Drill two holes to accommodate two plastic wall anchors if not mounting to wall studs. If mounting to wall studs, drill a small pilot hole instead. **OPTION:** Either one or both sides of the bowl may be fastened to the wall by the above method.

See Fig. 3.



GENERAL INSTALLATION INSTRUCTIONS FOR PEDESTAL SINK LAVATORY PAGE 2

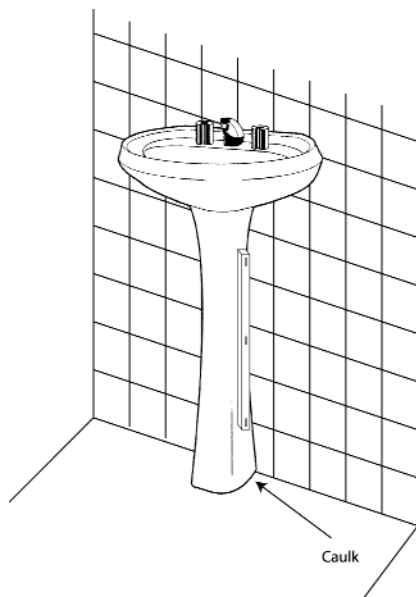
Fig. 3



(4) Mark the pedestal (base) location on the floor. Be careful not to move the position of the pedestal (base) except to make sure that it is plumb and vertical. Caulk around pedestal base where the base meets the floor.

See Fig. 4.

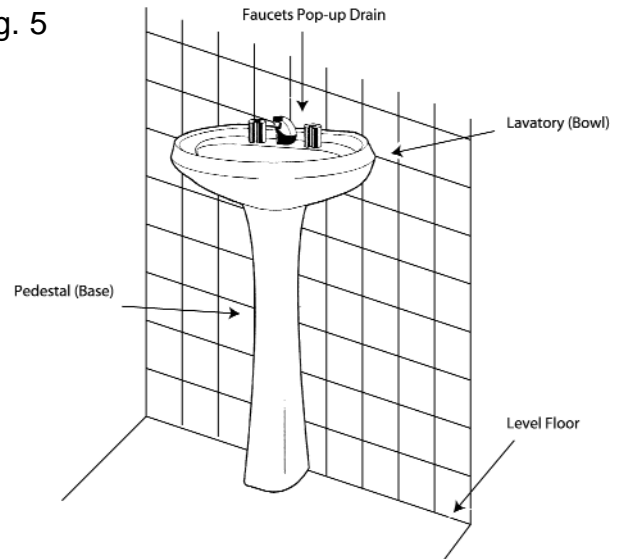
Fig. 4



(5) Install faucets, pop-up drain assembly and trap on lavatory (bowl) according to manufacturers' instructions on package.

See Fig. 5.

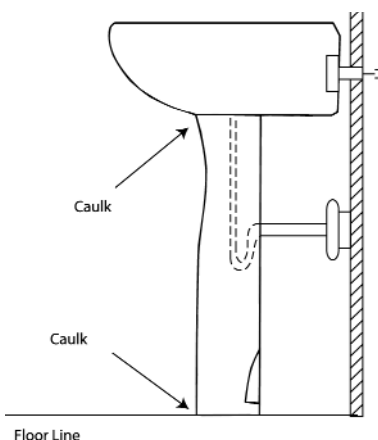
Fig. 5



(6) Insert plastic wall anchors by tapping gently with a hammer into the drilled holes (if not mounting to wall studs). Position bracket if supplied and secure to wall with attaching hardware. Do not tighten completely. Apply a thin layer of caulking to the top of the pedestal base. Place lavatory (bowl) in position on the pedestal base. Tighten bracket hardware snugly (do not over tighten). If securing with mounting holes in lavatory (bowl) be sure to use either rubber or plastic insulating washers with attaching hardware. Tighten securely, **DO NOT OVERTIGHTEN.**

See Fig. 6.

Fig. 6



(7) Affix base to floor with attaching hardware if mounting holes are provided.